

RE 18332-42/12.09
 Replaces: RE 00199/11.07

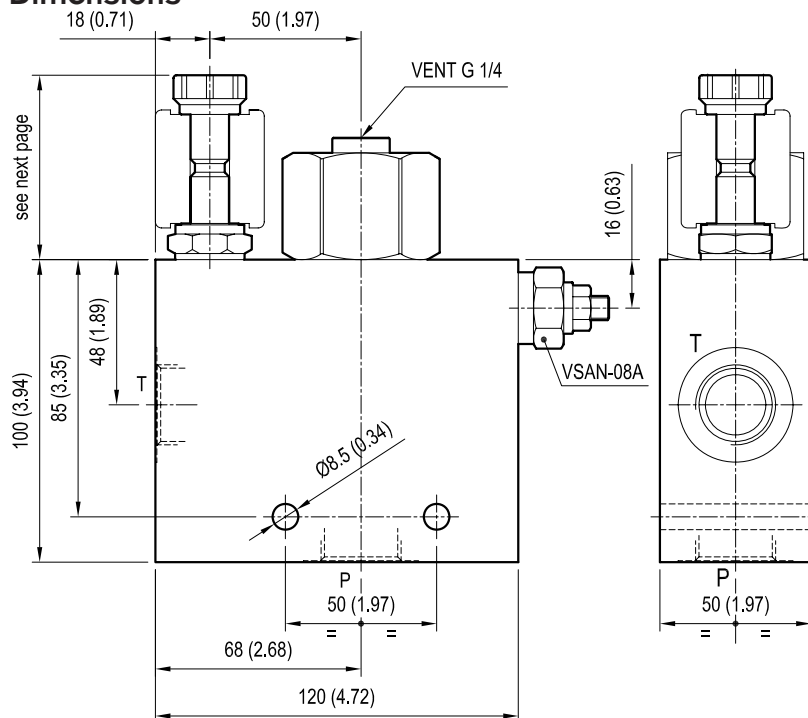
1/4

Standard integrated circuits solenoid operated ventable relief valve

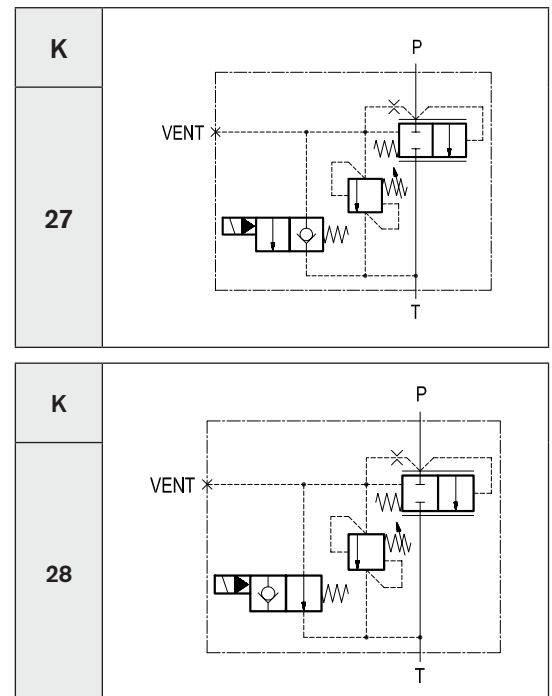
VSP-19-VEI8A

OL - K - Y - Z - W - 00

Dimensions



[mm (inches)]



Technical data

Max flow: up to 200 l/min (53 gpm)

Max operating pressure: 210 bar (3000 psi)

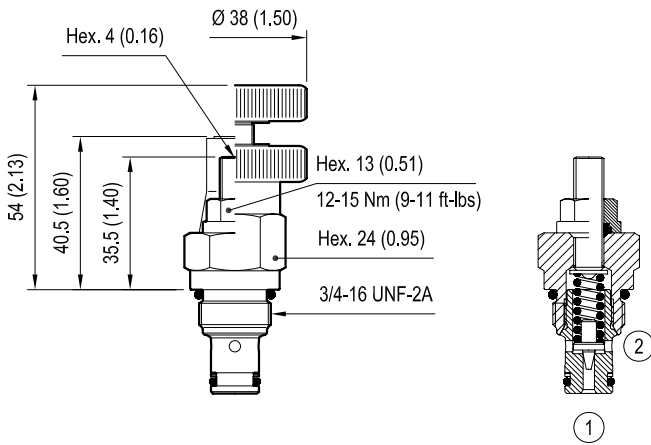
 Standard manifolds in high strength **aluminium**.

For working pressure up to 350 bar (5000 psi) and for fatigue applications with any working pressure, steel manifolds are available upon request.

Weight: 1.3 kg (2.9 lbs)

These integrated circuit contains one relief valve type VSAN-08A operating from P to T and one solenoid valve type VEI-8A (see next page).

VSAN-08A Cartridge valve (code 04.11.48.X.56.Z)



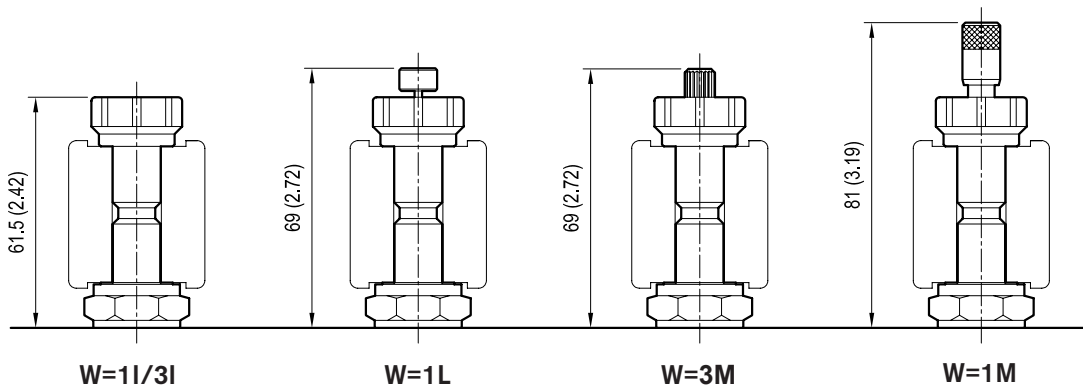
Z		VSAN-08A SETTING		
		Adj. pressure range bar (psi)	Press. increase bar/turn (psi/turn)	Std. setting bar (psi) (Q=5 l/min)
	01	35-140 (500-2000)	48 (696)	100 (1450)
	04	105-210 (1500-3000)	88 (1276)	200 (2900)
	07	140-420 (2000-6000)	140 (2030)	350 (5000)
	08	35-350 (500-5000)	68 (986)	350 (5000)

ADJUSTMENTS		OPTIONS
Leakproof hex. socket screw		 Ordering code 11.04.23.002
Handknob and locknut		

VSAN-08A TECHNICAL DATA
See table "Z", for other details see data sheet RE 18318-01

[mm (inches)]

VEI-8A Solenoid cartridge valve (code OD.15.K.18...)

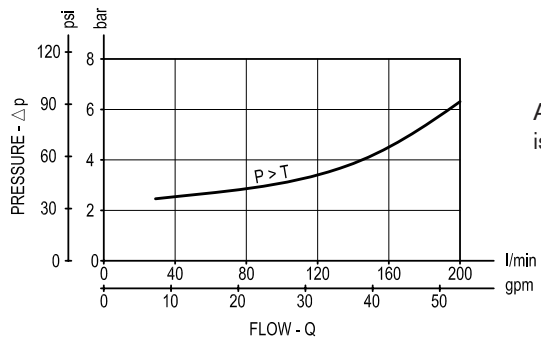


[mm (inches)]

W	MANUAL OVERRIDE OPTIONS	
	K = 27	K = 28
1I	/	No override
1L	/	Push style
1M	/	Push and twist style
3I	No override	/
3M	Knob style	/

VEI-8A TECHNICAL DATA		
Internal leakage:	100 cm ³ /min	(0.06 inch ³ /min)
Filtration:	25 µm nominal or better	
Minimum voltage required:	90% of nominal value	
Coil:	S8-356 (must be ordered separately) (see data sheet RE 18325-90)	
For other details see cartridge data sheet		

Performance graph



A pressure of approximately 2 bar (29 psi) is required to open the main poppet.

